



Omega Express Guide

PHILIPS
OMEGA

The Express Guide

The Express Guide is broken down into products that are either stocked, or quick-ship items made to order in 12 days or less. Only stocked reflectors are included in the program; most of which are compatible with the corresponding Quick Ship housings. The Express guide contains only catalog numbers for ordering. Please refer to the individual product cut-sheets at www.omegalighting.com for further details about each product.

Express Policy and Guidelines

- In stock items ship within 2 days or less of order processing. Every effort is made to ensure that products remain available at all times. In the event of a stock outage, any back-ordered product will ship as soon as product becomes available.
- Quick Ship housings ship within 12 days or less of order processing.
- You must indicate "Omega Express" on your PO. All qualifying Express line items will be processed as such unless otherwise instructed.
- Quick Ship housings ordered without "QS" indicated in the catalog suffix will be processed as normal production and scheduled accordingly. This will more than likely result in the product not shipping within the 12 day time-frame.
- If an order is received with both standard and Express line items, the Express items will be scheduled to ship separately unless otherwise instructed. Please indicate "SHIP COMPLETE" if you prefer all items on the PO to ship with the longest lead time.
- "Days" are defined as business days, excluding holidays and weekends.
- Estimated Ship Dates (ESD) are determined per the following example: If an error-free order is received and processed it will ship within 12 business days following the day it was processed. In stock items which are entered on Monday will ship no later than Wednesday.
- There are no restrictions on the number of line items per order. Orders for Express products may also be combined with other cataloged items that are not included in the Express program. It is important to note on your PO if you do not desire Express items, including Stock to ship as soon as available.
- Enter correct catalog numbers on orders. Improperly indicating items that do not qualify for the Express program may delay order processing and shipment.

Must Do Checklist:

1. Indicate "Omega Express" on PO.
2. Must indicate QS as suffix on Quick Ship made-to-order items.
3. Complete PO with proper terms.

Important Notes

Consult factory, catalog or website for options not shown in this guide.
Advise factory if made to order reflector lead time needs improvement.
Major projects with large quantities may require partial shipments (contact factory).
Partial shipments may also be required based on current factory loads.
Change orders of any kind will affect lead-time.

Express Guide Index

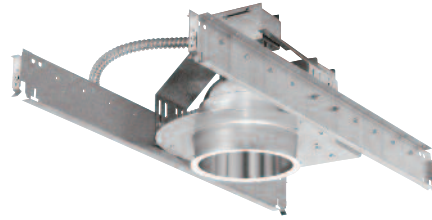
REVELATION

4" CFL Vertical Downlight	4
6" CFL Vertical Downlight	5
6" CFL Wall Washer	6
8" CFL Vertical Downlight	7
8" CFL Vertical Wall Washer.....	8
10" CFL Horizontal Downlight	9
6" CFL Horizontal Downlight	10
6" CFL Horizontal Shallow Recessed Depth	11
6" CFL Horizontal Wall Washer.....	12
6" CFL Horizontal Lensed Wall Washer	13
8" CFL Horizontal Downlight	14
8" CFL Horizontal Shallow Recessed Depth	15
8" CFL Horizontal Lensed Wall Washer	16
8" CFL Horizontal Wall Washer.....	17
4" CFL Square Downlight.....	18
6" CFL Square Downlight.....	19
4" Low Voltage Downlight	20
4" Low Voltage Lensed Wall Wash	21
4" Low Voltage Adjustable Downlight.....	22
4" Incandescent Downlight & Adjustable Downlight.....	23
6" Incandescent Par Lamp Downlight & Par Lamp Adjustable Downlight.....	24
6" Incandescent Vertical A-Lamp Downlight & Horizontal A-Lamp Downlight.....	25
6" Incandescent T4 Quartz Downlight.....	26

SPEX

4" CFL Vertical Downlight	27
6" CFL Vertical Downlight.....	28
6" CFL Open Vertical Wall Wash.....	29
6" CFL Horizontal Downlight	30
6" CFL Horizontal Wall Wash.....	31
6" CFL Parabolic Louvered Downlight.....	32
6" CFL Horizontal Lensed Wall Wash	33
6" CFL Horizontal Downlight Turbo Louver.....	34
6" CFL Shallow Recessed Depth Shower Light.....	35
8" CFL Vertical Open Downlight	36
8" CFL Vertical Open Wall Wash.....	37
8" CFL Horizontal Open Downlight.....	38
8" CFL Horizontal Open Wall Wash.....	39
8" CFL Horizontal Parabolic Louvered Reflector Downlight.....	40
8" CFL Shallow Recessed Depth Lensed Downlight	41
8" CFL Horizontal Turbo Louver Downlight.....	42
6" HID Open Vertical Downlight	43
6" HID Vertical Lensed/Splay Lens Downlight	44
8" HID Open Vertical Downlight	45
8" HID Lensed Vertical Downlight.....	46

REVELATION



4" Compact Fluorescent
Vertical Downlight

STOCK

Will ship within 2 business days after order is processed.**

4" Revelation Downlight

Catalog Number	Description
OM426PLT120/277	4" compact fluorescent downlight, 26 watt PLT, universal voltage 120-277

4" Revelation Reflector

Catalog Number	Description
R426PLTCS	4" reflector, 26 watt PLT, clear specular

Barhanger Accessories:

QI031 - 27" Flat Bar Hangers (pair)

QUICK SHIP

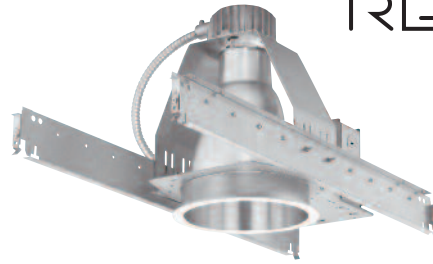
Will ship within 12 business days after order is processed.**

4" Revelation Downlight	Lamp (by others)	Options	Supply Voltage	Quick Ship (required)
OM4	13QPL 18PLT 26PLT	EM Emergency F1 Fuse 120V F2 Fuse 277V DX1 Advance Mark X Dimming 120V DX2 Advance Mark X Dimming 277V	120/277 120-277VAC	QS - Quick Ship (must be added to the end of all Quick Ship catalog numbers indicating housing is part of the Express Program.)

SAMPLE CATALOG NUMBER: OM413QPLDXIQS

*See catalog, www.omegalighting.com, or spec sheet RV1-1 for additional options and information on this product.

**For complete program details, see page 2 of the Express guide.



REVELATION

6" Compact Fluorescent
Vertical Downlight

STOCK

Will ship within 2 business days after order is processed.**

6" Revelation Downlight

Catalog Number	Description
OM632PLT120/277	6" compact fluorescent downlight, 32 watt PLT, universal voltage 120-277
OM632PLTMD120/277	6" compact fluorescent downlight, 32 watt PLT, medium distribution, universal voltage 120-277
OM642PLT120/277	6" compact fluorescent downlight, 42 watt PLT, universal voltage 120-277

6" Revelation Reflector

Catalog Number	Description
R626PLTCS	6" reflector, PLT, clear specular
R626PLTCSS	6" reflector, PLT, clear semi specular
R626QPLCS	6" reflector, QPL, clear specular
R632PLTCS	6" reflector, PLT, clear specular
R632PLTCSFF	6" reflector, PLT, clear specular with finish flange
R632PLTCSS	6" reflector, PLT, clear semi specular
R632PLTFLDCSFF	6" reflector, PLT, floating luminous disk, clear specular with finish flange
R632PLTMDCS	6" reflector, PLT, medium distribution, clear specular
R642PLTCS	6" reflector, PLT, clear specular
R642PLTCSS	6" reflector, PLT, clear semi specular

Barhanger Accessories:

Q1031 - 27" Flat Bar Hangers (pair)

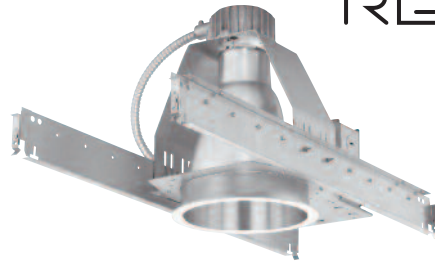
QUICK SHIP

Will ship within 12 business days after order is processed.**

6" Revelation Downlight	Lamp (by others)	Options	Supply Voltage	Quick Ship (required)
OM6	18PLT 26PLT 32PLT 42PLT 26QPL 18QPL	EM Emergency F1 Fuse 120V F2 Fuse 277V DX1 Advance Mark X Dimming 120V DX2 Advance Mark X Dimming 277V	120/277 120-277VAC	QS - Quick Ship (must be added to the end of all Quick Ship catalog numbers indicating housing is part of the Express Program.)

SAMPLE CATALOG NUMBER: OM618PLT120/277QS

*See catalog, www.omegalighting.com, or spec sheets RV1-3, RV1-4.5, and RV1-5 for additional options and information on this product. **For complete program details, see page 2 of the Express guide.



REVELATION

6" Compact Fluorescent
Vertical Wall Washer

STOCK

Will ship within 2 business days after order is processed.**

6" Revelation Downlight

Catalog Number	Description
OM632PLTWW120/277	6" compact fluorescent wall wash, 32 watt PLT, universal voltage 120-277
OM642PLTWW120/277	6" compact fluorescent wall wash, 42 watt PLT, universal voltage 120-277

6" Revelation Reflector

Catalog Number	Description
R626QPLWWCS	6" wall wash reflector, QPL, clear specular
R632PLTWWCS	6" wall wash reflector, PLT, clear specular
R632PLTWWCSS	6" wall wash reflector, PLT, clear semi specular

Barhanger Accessories:

Q1031 - 27" Flat Bar Hangers (pair)

QUICK SHIP

Will ship within 12 business days after order is processed.**

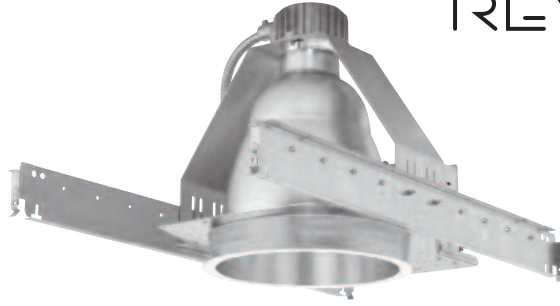
6" Revelation Downlight	Lamp (by others)	Options	Supply Voltage	Quick Ship (required)
OM6	18PLTWW 26PLTWW 32PLTWW 42PLTWW 26QPLWW 18QPLWW	EM Emergency IE Integral Emergency F1 Fuse 120V F2 Fuse 277V DX1 Advance Mark X Dimming 120V DX2 Advance Mark X Dimming 277V	120/277 120-277VAC	QS - Quick Ship (must be added to the end of all Quick Ship catalog numbers indicating housing is part of the Express Program.)

SAMPLE CATALOG NUMBER: OM626PLTWW120/277QS

*See catalog, www.omegalighting.com, or spec sheets RV1-4 and RV1-6 for additional options and information on this product. **For complete program details, see page 2 of the Express guide.

REVELATION

8" Compact Fluorescent
Vertical Downlight



STOCK

Will ship within 2 business days after order is processed.**

8" Revelation Downlight

Catalog Number	Description
OM832PLT120/277	8" compact fluorescent downlight, 32 watt PLT, universal voltage 120-277
OM842PLT120/277	8" compact fluorescent downlight, 42 watt PLT, universal voltage 120-277
OM842PLTEM120/277	8" compact fluorescent downlight, 42 watt PLT, emergency, universal voltage 120-277
OM842PLTND120/277	8" compact fluorescent downlight, 42 watt PLT, narrow distribution, universal voltage 120-277

8" Revelation Reflector

Catalog Number	Description
R832PLTCS	8" reflector, vertical PLT, clear specular
R842PLTCS	8" reflectors, vertical PLT, clear specular
R842PLTSS	8" reflector, vertical PLT, clear semi specular
R842PLTNDCS	8" reflector, vertical PLT, narrow distribution, clear specular

Barhanger Accessories:

Q1031 - 27" Flat Bar Hangers (pair)

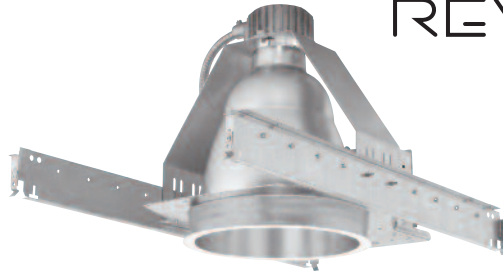
QUICK SHIP

Will ship within 12 business days after order is processed.**

8" Revelation Downlight	Lamp (by others)	Options	Supply Voltage	Quick Ship (required)
OM8	18PLT 26PLT 32PLT 42PLT 26QPL 18QPL 18PLTND 26PLTND 32PLTND 42PLTND 26QPLND 18QPLND	EM Emergency F1 Fuse 120V F2 Fuse 277V DX1 Advance Mark X Dimming 120V DX2 Advance Mark X Dimming 277V	120/277 120-277VAC	QS - Quick Ship (must be added to the end of all Quick Ship catalog numbers indicating housing is part of the Express Program.)

SAMPLE CATALOG NUMBER: OM818PLT120/277QS

*See catalog, www.omegalighting.com, or spec sheets RV1-19, RV1-21, and RV1-22 for additional options and information on this product. **For complete program details, see page 2 of the Express guide.



REVELATION

8" Compact Fluorescent
Vertical Wall Wash

STOCK

Will ship within 2 business days after order is processed.**

8" Revelation Downlight

Catalog Number	Description
OM842PLTWW120/277	8" compact fluorescent wall wash, 42 watt PLT, universal voltage 120-277

8" Revelation Reflector

Catalog Number	Description
R842PLTWWCS	8" wall wash reflector, vertical CFL, clear specular

Barhanger Accessories:

QI031 - 27" Flat Bar Hangers (pair)

QUICK SHIP

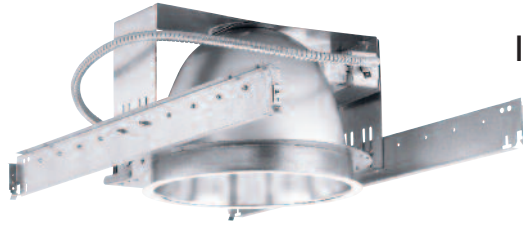
Will ship within 12 business days after order is processed.**

8" Revelation Downlight	Lamp (by others)	Options	Supply Voltage	Quick Ship (required)
OM8	18PLTWW 26PLTWW 32PLTWW 42PLTWW 26QPLWW 18QPLWW	EM Emergency IE Integral Emergency F1 Fuse 120V F2 Fuse 277V DX1 Advance Mark X Dimming 120V DX2 Advance Mark X Dimming 277V	120/277 120-277VAC	QS - Quick Ship (must be added to the end of all Quick Ship catalog numbers indicating housing is part of the Express Program.)

SAMPLE CATALOG NUMBER: OM832PLTWW120/277QS

*See catalog, www.omegalighting.com, or spec sheets RV1-20 and RV1-23 for additional options and information on this product.**For complete program details, see page 2 of the Express guide.

REVELATION



10" Compact Fluorescent Horizontal Downlight

STOCK

Will ship within 2 business days after order is processed.**

10" Revelation Downlight

Catalog Number	Description
OMI02H42PLT120/277	10" open reflector downlight, 2 lamp horizontal, 42 watt PLT, universal voltage 120-277
OMI02H32PLT120/277	10" open reflector downlight, 2 lamp horizontal, 32 watt PLT, universal voltage 120-277

10" Revelation Reflector

Catalog Number	Description
R102H42PLTCS	10" reflector, two lamp horizontal PLT, clear specular
R102H42PLTCSFF	10" reflector, two lamp horizontal PLT, clear specular with finish flange

Barhanger Accessories:

QI031 - 27" Flat Bar Hangers (pair)

QUICK SHIP

Will ship within 12 business days after order is processed.**

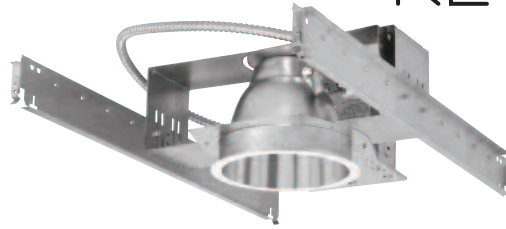
10" Revelation Downlight	Lamp (by others)	Options	Supply Voltage	Quick Ship (required)
OMI0	2H26PLT 2H32PLT 2H42PLT 2H57PLT	EM Emergency IE Integral Emergency F1 Fuse 120V F2 Fuse 277V DX1 Advance Mark X Dimming 120V DX2 Advance Mark X Dimming 277V	120/277 120-277VAC	QS - Quick Ship (must be added to the end of all Quick Ship catalog numbers indicating housing is part of the Express Program.)

SAMPLE CATALOG NUMBER: OMI02H32PLTEM120/277QS

*See catalog, www.omegalighting.com, or spec sheet RVI-40 for additional options and information on this product.

**For complete program details, see page 2 of the Express guide.

REVELATION



6" Compact Fluorescent Horizontal Downlight

STOCK

Will ship within 2 business days after order is processed.**

6" Revelation Downlight
Catalog Number

Description

OM61H26PLT120/277	6" compact fluorescent downlight, single lamp horizontal, 26 watt PLT, universal voltage 120-277
OM61H32PLT120/277	6" compact fluorescent downlight, single lamp horizontal, 32 watt PLT, universal voltage 120-277
OM61H42PLT120/277	6" compact fluorescent downlight, single lamp horizontal, 42 watt PLT, universal voltage 120-277
OM61H26QPL120/277	6" compact fluorescent downlight, single lamp horizontal, 26 watt QPL, universal voltage 120-277
OM61H42PLTEM120/277	6" compact fluorescent downlight, single lamp horizontal, 42 watt PLT, emergency, universal voltage 120-277
OM62H18QPL120/277	6" compact fluorescent downlight, two lamp horizontal, 18 watt QPL, universal voltage 120-277
OM62H26QPL120/277	6" compact fluorescent downlight, two lamp horizontal, 26 watt QPL, universal voltage 120-277

6" Revelation Reflector
Catalog Number

Description

R61H26QPLCS	6" reflector, single lamp horizontal QPL, clear specular
R61H26PLTCS	6" reflector, single lamp horizontal PLT, clear specular
R61H32PLTCS	6" reflector, single lamp horizontal PLT, clear specular
R61H32PLTCSS	6" reflector, single lamp horizontal PLT, clear semi-specular
R61H42PLTCS	6" reflector, single lamp horizontal PLT, clear specular
R62H26QPLCS	6" reflector, 2 lamp horizontal QPL, clear specular
R62H26QPLCSS	6" reflector, 2 lamp horizontal QPL, clear semi-specular
R62H18QPLCS	6" reflector, 2 lamp horizontal QPL, clear specular

Barhanger Accessories:

Q1031 - 27" Flat Bar Hangers (pair)

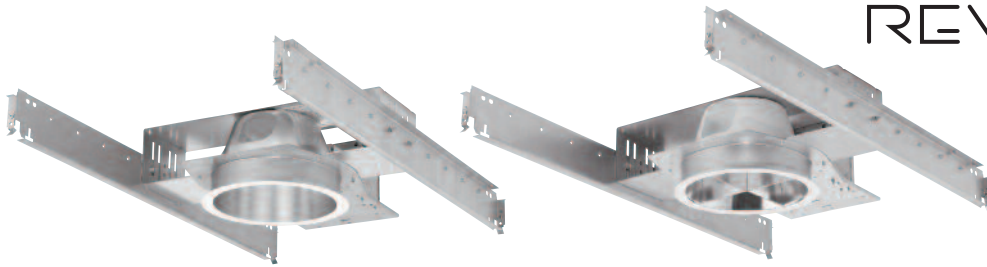
QUICK SHIP

Will ship within 12 business days after order is processed.**

6" Revelation Downlight	Lamp (by others)	Options	Supply Voltage	Quick Ship (required)
OM6	1H26QPL	EM Emergency	120/277	QS - Quick Ship (must be added to the end of all Quick Ship catalog numbers indicating housing is part of the Express Program.)
	1H18QPL	IE Integral Emergency	120-277VAC	
	1H18PLT	F1 Fuse 120V		
	1H26PLT	F2 Fuse 277V		
	1H32PLT	DX1 Advance Mark X		
	1H42PLT	Dimming 120V		
	2H26QPL	DX2 Advance Mark X		
	2H18QPL	Dimming 277V		

SAMPLE CATALOG NUMBER: OM61H26QPLEM120/277QS

*See catalog, www.omegalighting.com, or spec sheets RV1-9 and RV1-11 for additional options and information on this product. **For complete program details, see page 2 of the Express guide.



REVELATION

6" Compact Fluorescent
Horizontal Shallow
Recessed Depth
Downlight

STOCK

Will ship within 2 business days after order is processed.**

6" Revelation Downlight

Catalog Number	Description
OM62H26QPLSRD120/277	6" compact fluorescent downlight, 2 lamp horizontal, 26 watt QPL, shallow recessed depth, universal voltage 120-277
OM62H26QPLXB120/277	6" compact fluorescent downlight, 2 lamp horizontal, 26 watt QPL, cross baffle, universal voltage 120-277
OM61H32PLTXB120/277	6" compact fluorescent downlight, single lamp horizontal, 32 watt PLT, cross baffle, universal voltage 120-277

6" Revelation Reflector

Catalog Number	Description
R62H26QPLSRDCS	6" reflector, 2 lamp horizontal QPL, shallow recessed depth, clear specular
R6HXBVHFF	6" horizontal cross baffle, clear specular

Barhanger Accessories:
QI031 - 27" Flat Bar Hangers (pair)

QUICK SHIP

Will ship within 12 business days after order is processed.**

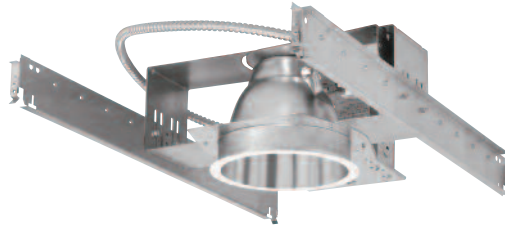
6" Revelation Downlight	Lamp (by others)	Options	Supply Voltage	Quick Ship (required)
OM6	1H26QPLXB 1H18QPLXB 1H18PLTXB 1H26PLTXB 1H32PLTXB 1H42PLTXB 2H26QPLXB 2H18QPLXB 1H26QPLSRD 1H18QPLSRD 1H18PLTSRD 1H26PLTSRD 1H32PLTSRD 1H42PLTSRD 2H26QPLSRD 2H18QPLSRD	EM Emergency F1 Fuse 120V F2 Fuse 277V DX1 Advance Mark X Dimming 120V DX2 Advance Mark X Dimming 277V	120/277 120-277VAC	QS - Quick Ship (must be added to the end of all Quick Ship catalog numbers indicating housing is part of the Express Program.)

SAMPLE CATALOG NUMBER: OM62H26QPLSRDEMI20/277QS

*See catalog, www.omegalighting.com, or spec sheets RV1-14, RV1-14.5, and RV1-15 for additional options and information on this product. **For complete program details, see page 2 of the Express guide.



REVELATION



6" Compact Fluorescent
Horizontal Wall Wash

STOCK

Will ship within 2 business days after order is processed.**

6" Revelation Downlight

Catalog Number	Description
OM61H26PLTWW120/277	6" compact fluorescent wall wash, single lamp horizontal, 26 watt PLT, universal voltage 120-277
OM61H32PLTWW120/277	6" compact fluorescent wall wash, single lamp horizontal, 32 watt PLT, universal voltage 120-277

6" Revelation Reflector

Catalog Number	Description
R61H26PLTWWCS	6" wall wash, single lamp horizontal PLT, clear specular
R61H32PLTWWCS	6" wall wash, single lamp horizontal PLT, clear specular
R61H32PLTWWCSS	6" wall wash, single lamp horizontal PLT, clear semi-specular
R62H26QPLWWCS	6" wall wash, 2 lamp horizontal QPL, clear specular

Barhanger Accessories:

Q1031 - 27" Flat Bar Hangers (pair)

QUICK SHIP

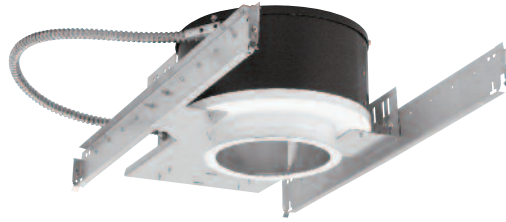
Will ship within 12 business days after order is processed.**

6" Revelation Downlight	Lamp (by others)	Options	Supply Voltage	Quick Ship (required)
OM6	1H26QPL 1H18QPL 1H18PLT 1H26PLT 1H32PLT 1H42PLT 2H26QPL 2H18QPL	EM Emergency IE Integral Emergency F1 Fuse 120V F2 Fuse 277V DX1 Advance Mark X Dimming 120V DX2 Advance Mark X Dimming 277V	120/277 120-277VAC	QS - Quick Ship (must be added to the end of all Quick Ship catalog numbers indicating housing is part of the Express Program.)

SAMPLE CATALOG NUMBER: OM61H26QPL120/277QS

*See catalog, www.omegalighting.com, or spec sheets RV1-10 and RV1-12 for additional options and information on this product. **For complete program details, see page 2 of the Express guide.

REVELATION



6" Compact Fluorescent
Horizontal Lensed
Wall Wash

STOCK

Will ship within 2 business days after order is processed.**

6" Revelation Downlight

Catalog Number	Description
OM61H32PLTLWW120/277	6" compact fluorescent lensed wall wash, single lamp horizontal, 32 watt PLT, universal voltage 120-277
OM62H26QPLLWW120/277	6" compact fluorescent lensed wall wash, 2 lamp horizontal, 26 watt QPL, universal voltage 120-277

6" Revelation Reflector

Catalog Number	Description
R6LWWCS	6" lensed wall wash reflector, clear specular

Barhanger Accessories:

QI031 - 27" Flat Bar Hangers (pair)

QUICK SHIP

Will ship within 12 business days after order is processed.**

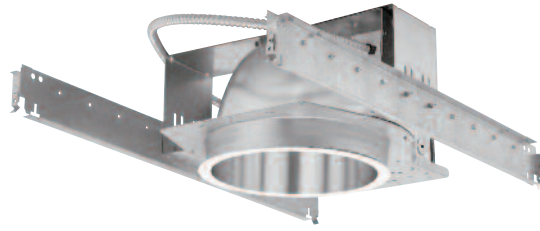
6" Revelation Downlight	Lamp (by others)	Options	Supply Voltage	Quick Ship (required)
OM6	1H18PLTLWW	EM Emergency	120/277	QS - Quick Ship (must be added to the end of all Quick Ship catalog numbers indicating housing is part of the Express Program.)
	1H26PLTLWW	F1 Fuse 120V	120-277VAC	
	1H32PLTLWW	F2 Fuse 277V		
	1H42PLTLWW	DX1 Advance Mark X		
	2H26QPLLWW	Dimming 120V		
	2H18QPLLWW	DX2 Advance Mark X Dimming 277V		

SAMPLE CATALOG NUMBER: OM62H26QPLLWWDX2QS

*See catalog, www.omegalighting.com, or spec sheet RVI-18.5 for additional options and information on this product.

**For complete program details, see page 2 of the Express guide.

REVELATION



8" Compact Fluorescent
Horizontal Downlight

STOCK

Will ship within 2 business days after order is processed.**

8" Revelation Downlight

Catalog Number	Description
OM81H32PLT120/277	8" compact fluorescent downlight, single lamp horizontal, 32 watt PLT, universal voltage 120-277V
OM81H42PLT120/277	8" compact fluorescent downlight, single lamp horizontal, 42 watt PLT, universal voltage 120-277V
OM82H18QPL120/277	8" compact fluorescent downlight, 2 lamp horizontal, 18 watt QPL, universal voltage 120-277V
OM82H26PLT120/277	8" compact fluorescent downlight, 2 lamp horizontal, 26 watt PLT, universal voltage 120-277V
OM82H26QPL120/277	8" compact fluorescent downlight, 2 lamp horizontal, 26 watt QPL, universal voltage 120-277V
OM82H32PLT120/277	8" compact fluorescent downlight, 2 lamp horizontal, 32 watt PLT, universal voltage 120-277V
OM82H42PLT120/277	8" compact fluorescent downlight, 2 lamp horizontal, 42 watt PLT, universal voltage 120-277V

8" Revelation Reflector

Catalog Number	Description
R81H32PLTCS	8" reflector, single lamp horizontal PLT, clear specular
R81H32PLTCSS	8" reflector, single lamp horizontal PLT, clear semi-specular
R81H42PLTCS	8" reflector, single lamp horizontal PLT, clear specular
R82H18QPLCS	8" reflector, 2 lamp horizontal QPL, clear specular
R82H26QPLBBCS	8" reflector, 2 lamp horizontal QPL, black baffle with clear spec
R82H26QPLCS	8" reflector, 2 lamp horizontal QPL, clear specular
R82H26QPLCSS	8" reflector, 2 lamp horizontal QPL, clear semi-specular
R82H32PLTCSS	8" reflector, 2 lamp horizontal PLT, clear semi-specular
R82H32PLTSPLPL	8" reflector, 2 lamp horizontal PLT, splay with prismatic lens
R82H42PLTCS	8" reflector, 2 lamp horizontal PLT, clear specular
R82H42PLTCSS	8" reflector, 2 lamp horizontal PLT, clear semi-specular

Barhanger Accessories:

Q1031 - 27" Flat Bar Hangers (pair)

QUICK SHIP

Will ship within 12 business days after order is processed.**

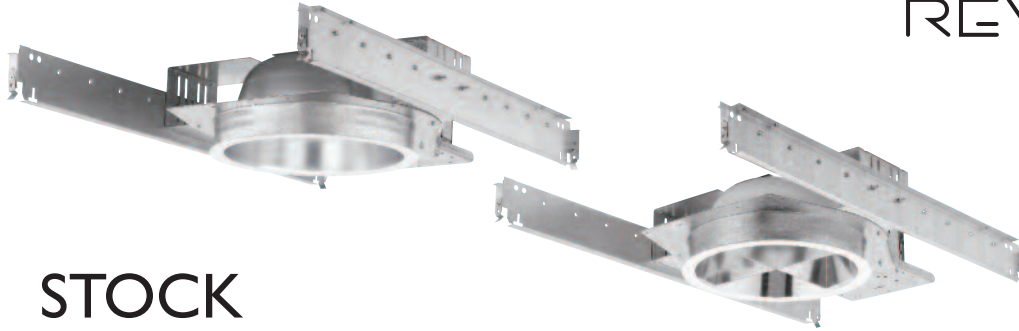
8" Revelation Downlight	Lamp (by others)	Options	Supply Voltage	Quick Ship (required)
OM8	1H18PLT 1H26PLT 1H32PLT 1H42PLT 2H26QPL 2H18QPL 2H18PLT 2H26PLT 2H32PLT 2H42PLT	EM Emergency IE Integral Emergency F1 Fuse 120V F2 Fuse 277V DX1 Advance Mark X Dimming 120V DX2 Advance Mark X Dimming 277V	120/277 120-277VAC	QS - Quick Ship (must be added to the end of all Quick Ship catalog numbers indicating housing is part of the Express Program.)

SAMPLE CATALOG NUMBER: OM81H32PLTEM120/277QS

*See catalog, www.omegalighting.com, or spec sheets RV1-27 and RV1-29 for additional options and information on this product. **For complete program details, see page 2 of the Express guide.

REVELATION

8" Compact Fluorescent
Horizontal Shallow
Recessed Depth
Downlight



STOCK

Will ship within 2 business days after order is processed.**

8" Revelation Downlight

Catalog Number	Description
OM82H26QPLXB120/277	8" compact fluorescent downlight, 2 lamp horizontal, 26 watt QPL, cross baffle, universal voltage 120-277
OM82H32PLTXB120/277	8" compact fluorescent downlight, 2 lamp horizontal, 32 watt PLT, cross baffle, universal voltage 120-277

8" Revelation Reflector

Catalog Number	Description
R82HXBCS	8" reflector, 2 lamp horizontal, cross baffle, clear specular
R82HXBCSFF	8" reflector, 2 lamp horizontal, cross baffle, clear specular with finish flange
R82HXBCSS	8" reflector, 2 lamp horizontal, cross baffle, clear semi-specular

Barhanger Accessories:
QI031 - 27" Flat Bar Hangers (pair)

QUICK SHIP

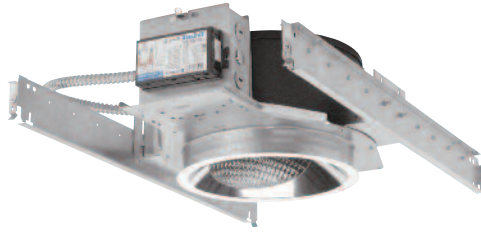
Will ship within 12 business days after order is processed.**

8" Revelation Downlight	Lamp (by others)	Options	Supply Voltage	Quick Ship (required)
OM8	2H26QPLXB 2H18QPLXB 2H18PLTXB 2H26PLTXB 2H32PLTXB 2H42PLTXB 2H26QPLSRD 2H18QPLSRD 2H18PLTSRD 2H26PLTSRD 2H32PLTSRD 2H42PLTSRD	EM Emergency F1 Fuse 120V F2 Fuse 277V DX1 Advance Mark X Dimming 120V DX2 Advance Mark X Dimming 277V	120/277 120-277VAC	QS - Quick Ship (must be added to the end of all Quick Ship catalog numbers indicating housing is part of the Express Program.)

SAMPLE CATALOG NUMBER: OM82H26PLTSRD120/277QS

*See catalog, www.omegalighting.com, or spec sheet RV1-33 for additional options and information on this product.**For complete program details, see page 2 of the Express guide.

REVELATION



8" Compact Fluorescent
Horizontal Lensed
Wall Wash

QUICK SHIP

Will ship within 12 business days after order is processed.**

8" Revelation Downlight	Lamp (by others)	Options	Supply Voltage	Quick Ship (required)
OM8	2H18PLTLWW 2H26PLTLWW 2H32PLTLWW 2H42PLTLWW 2H26QPLLWW 2H18QPLLWW	EM Emergency F1 Fuse 120V F2 Fuse 277V DX1 Advance Mark X Dimming 120V DX2 Advance Mark X Dimming 277V	120/277 120-277VAC	QS - Quick Ship (must be added to the end of all Quick Ship catalog numbers indicating housing is part of the Express Program.)

Barhanger Accessories:

Q1031 - 27" Flat Bar Hangers (pair)

SAMPLE CATALOG NUMBER: OM82H32PLTLWW|20/277QS

*See catalog, www.omegalighting.com, or spec sheet RV1-37 for additional options and information on this product.

**For complete program details, see page 2 of the Express guide.

REVELATION



8" Compact Fluorescent
Horizontal Wall Wash

STOCK

Will ship within 2 business days after order is processed.**

8" Revelation Downlight

Catalog Number	Description
OM82H26QPLWW120/277	8" compact fluorescent wall wash, 2 lamp horizontal, 26 watt QPL, universal voltage 120-277

Barhanger Accessories:

Q1031 - 27" Flat Bar Hangers (pair)

QUICK SHIP

Will ship within 12 business days after order is processed.**

8" Revelation Downlight	Lamp (by others)	Options	Supply Voltage	Quick Ship (required)
OM8	1H18PLTWW	EM Emergency	120/277	QS - Quick Ship (must be added to the end of all Quick Ship catalog numbers indicating housing is part of the Express Program.)
	1H26PLTWW	IE Integral Emergency	120-277VAC	
	1H32PLTWW	F1 Fuse 120V		
	1H42PLTWW	F2 Fuse 277V		
	2H26QPLWW	DX1 Advance Mark X		
	2H18QPLWW	Dimming 120V		
	2H18PLTWW	DX2 Advance Mark X		
	2H26PLTWW	Dimming 277V		
	2H32PLTWW			
	2H42PLTWW			

SAMPLE CATALOG NUMBER: OM81H42PLTWW120/277QS

*See catalog, www.omegalighting.com, or spec sheets RV1-28 and RV1-30 for additional options and information on this product.**For complete program details, see page 2 of the Express guide.

REVELATION



4" Compact Fluorescent
Horizontal Square
Downlight

STOCK

Will ship within 2 business days after order is processed.**

4" Revelation Square Downlight

Catalog Number	Description
OM4IH32PLTSQ120/277	4" compact fluorescent square downlight, single horizontal lamp, 32 watt PLT, universal voltage 120-277

4" Revelation Reflector

Catalog Number	Description
R4HSQCS	4" horizontal, square reflector, clear specular
R4HSQCSS	4" horizontal, square reflector, clear semi-specular

Barhanger Accessories:

QI031 - 27" Flat Bar Hangers (pair)

QUICK SHIP

Will ship within 12 business days after order is processed.**

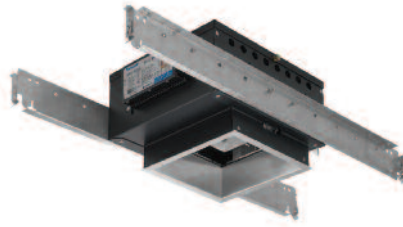
4" Revelation Downlight	Lamp (by others)	Options	Supply Voltage	Quick Ship (required)
OM4	IH18PLTSQ IH26PLTSQ IH32PLTSQ	EM Emergency F1 Fuse 120V F2 Fuse 277V DX1 Advance Mark X Dimming 120V DX2 Advance Mark X Dimming 277V	120/277 120-277VAC	QS - Quick Ship (must be added to the end of all Quick Ship catalog numbers indicating housing is part of the Express Program.)

SAMPLE CATALOG NUMBER: OM4IH18PLTSQ120/277QS

*See catalog, www.omegalighting.com, or spec sheet RV10-1 for additional options and information on this product.

**For complete program details, see page 2 of the Express guide.

REVELATION



6" Compact Fluorescent
Horizontal Square
Downlight

STOCK

Will ship within 2 business days after order is processed.**

6" Revelation Downlight

Catalog Number	Description
OM61H32PLTSQ120/277	6" Compact fluorescent square downlight, single horizontal lamp, 32 watt PLT, universal voltage 120-277

6" Revelation Reflector

Catalog Number	Description
R6HSQCSFF	6" square reflector, clear specular with finish flange

Barhanger Accessories:

QI031 - 27" Flat Bar Hangers (pair)

QUICK SHIP

Will ship within 12 business days after order is processed.**

6" Revelation Downlight	Lamp (by others)	Options	Supply Voltage	Quick Ship (required)
OM6	1H26PLTSQ 1H32PLTSQ 1H42PLTSQ 2H26QPLSQ 2H18QPLSQ	EM Emergency F1 Fuse 120V F2 Fuse 277V DX1 Advance Mark X Dimming 120V DX2 Advance Mark X Dimming 277V	120/277 120-277VAC	QS - Quick Ship (must be added to the end of all Quick Ship catalog numbers indicating housing is part of the Express Program.)

SAMPLE CATALOG NUMBER: OM62H26PLTSQ120/277QS

*See catalog, www.omegalighting.com, or spec sheet RV10-1.7 for additional options and information on this product.

**For complete program details, see page 2 of the Express guide.

Omega Express Program

REVELATION



4" Low Voltage
Downlight

STOCK

Will ship within 2 business days after order is processed.**

4" Revelation Downlight

Catalog Number	Description
OM475MR16LVET120	4" low voltage downlight, MR16, 75 watt max, electronic 120V

4" Revelation Reflector

Catalog Number	Description
R475MR16LVCS	4" low voltage reflector, MR16, clear specular
R475MR16LVPIN	4" low voltage reflector, MR16, pinhole

Barhanger Accessories:

QI031 - 27" Flat Bar Hangers (pair)

QUICK SHIP

Will ship within 12 business days after order is processed.**

4" Revelation Downlight	Lamp (by others)	Options	Supply Voltage	Quick Ship (required)
OM4	75MR16LV	F1 Fuse 120V F2 Fuse 277V	ET120 120 volt electronic ballast ET277 277 volt electronic ballast	QS - Quick Ship (must be added to the end of all Quick Ship catalog numbers indicating housing is part of the Express Program.)

SAMPLE CATALOG NUMBER: OM475MR16LVFIET120QS

*See catalog, www.omegalighting.com, or spec sheets RV3-1 and RV3-2 for additional options and information on this product.

**For complete program details, see page 2 of the Express guide.

Omega Express Program

REVELATION



4" Low Voltage
Lensed Wall Wash

STOCK

Will ship within 2 business days after order is processed.**

4" Revelation Downlight

Catalog Number	Description
OM475MRI6LVLWWET120	4" low voltage lensed wall wash, MR16 lamp, 75 watt max, 120V

4" Revelation Reflector

Catalog Number	Description
R475MRI6LVLWWCS	4" lensed wall wash reflector, MR16, clear specular

Barhanger Accessories:

QI031 - 27" Flat Bar Hangers (pair)

QUICK SHIP

Will ship within 12 business days after order is processed.**

4" Revelation Downlight	Lamp (by others)	Options	Supply Voltage	Quick Ship (required)
OM4	75MRI6LVLWW	F1 Fuse 120V F2 Fuse 277V	ET120 120 volt electronic ballast ET277 277 volt electronic ballast	QS - Quick Ship (must be added to the end of all Quick Ship catalog numbers indicating housing is part of the Express Program.)

SAMPLE CATALOG NUMBER: OM475MRI6LVLWWFIET120QS

*See catalog, www.omegalighting.com, or spec sheet RV3-14 for additional options and information on this product.

**For complete program details, see page 2 of the Express guide.

REVELATION



4" Low Voltage
Adjustable Downlight

STOCK

Will ship within 2 business days after order is processed.**

4" Revelation Downlight

Catalog Number	Description
OM475MR16LVRADJ45ET120	4" low voltage 45° adjustable downlight, MR16 lamp, 75 watt max, electronic 120V

4" Revelation Reflector

Catalog Number	Description
R475MR16LVRADJ45BB	4" adjustable reflector, MR16, black baffle
R475MR16LVRADJ45CS	4" adjustable reflector, MR16, clear specular
R475MR16LVRADJ45PIN	4" adjustable reflector, MR16, pinhole
R475MR16LVRADJ45SLOT	4" adjustable reflector, MR16, slot

Barhanger Accessories:

QI031 - 27" Flat Bar Hangers (pair)

QUICK SHIP

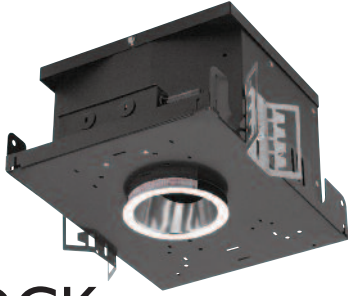
Will ship within 12 business days after order is processed.**

4" Revelation Downlight	Lamp (by others)	Options	Supply Voltage	Quick Ship (required)
OM4	75MR16LVRADJ45 75MR16LVRADJ25	F1 Fuse 120V F2 Fuse 277V	ET120 120 volt electronic ballast ET277 277 volt electronic ballast	QS - Quick Ship (must be added to the end of all Quick Ship catalog numbers indicating housing is part of the Express Program.)

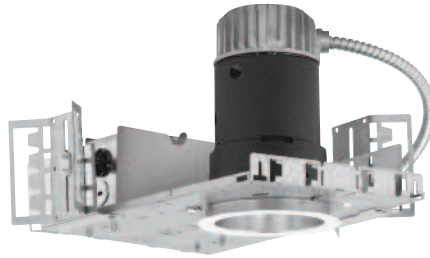
SAMPLE CATALOG NUMBER: OM475MR16LVRADJ45F2ET277QS

*See catalog, www.omegalighting.com, or spec sheets RV3-4, RV3-6, RV3-7, RV3-9, RV3-10, RV3-11, and RV3-13 for additional options and information on this product. **For complete program details, see page 2 of the Express guide.

Omega Express Program



STOCK



REVELATION

4" Incandescent
Downlight/Adjustable

Will ship within 2 business days after order is processed.**

4" Revelation Downlight

Catalog Number	Description
OM450PAR20	4" open reflector incandescent downlight, Par 20, 50 watt max
OM450PAR20RADJ40	4" open reflector incandescent adjustable downlight, Par 20, 50 watt max

4" Revelation Reflector

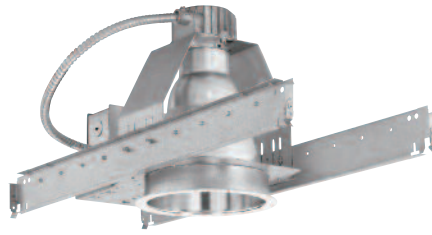
Catalog Number	Description
R450PAR20C	4" reflector, clear specular
R450PAR20RADJ40CS	4" reflector, clear specular, adjustable

Barhanger Accessories:

QI031 - 27" Flat Bar Hangers (pair)

*See catalog, www.omegalighting.com, or spec sheets RV2-4 and RV2-6 for additional options and information on this product.**For complete program details, see page 2 of the Express guide.

Omega Express Program



REVELATION

6" Incandescent
PAR Lamp
Downlight/Adjustable

STOCK

Will ship within 2 business days after order is processed.**

6" Revelation Downlight

Catalog Number	Description
OM675PAR30	6" incandescent downlight, Par 30, 75 watt max
OM6250PAR38	6" incandescent downlight, Par 38, 250 watt max
OM6250PAR38RADJ45	6" incandescent adjustable downlight, Par 38, 250 watt max
OM6250PAR38LWW	6" incandescent lensed wall wash, Par 38, 250 watt max

6" Revelation Reflector

Catalog Number	Description
R675PAR30CS	6" reflector, clear specular, Par 30
R6250PAR38CS	6" reflector, clear specular, Par 38
R6250PAR38RADJ45CS	6" reflector, clear specular, Par 38, adjustable
R6*LWWCS	6" reflector, clear specular, lensed wall wash

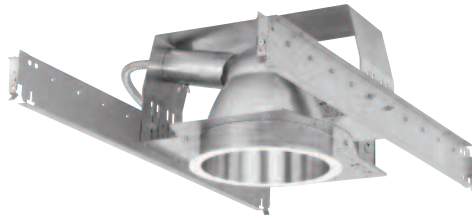
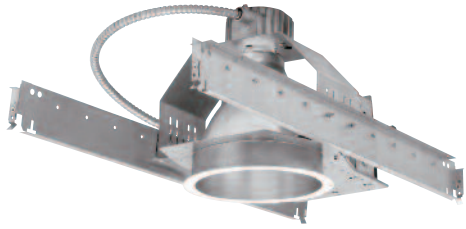
Barhanger Accessories:

Q1031 - 27" Flat Bar Hangers (pair)

*See catalog, www.omegalighting.com, or spec sheets RV2-16, RV2-17, RV2-18 and RV2-23 for additional options and information on this product. **For complete program details, see page 2 of the Express guide.

Omega Express Program

REVELATION



6" Incandescent
Vertical A-Lamp/
Horizontal A-Lamp
Downlight

STOCK

Will ship within 2 business days after order is processed.**

6" Revelation Downlight

Catalog Number	Description
OM6100A19	6" incandescent downlight, vertical, A19 lamp, 100 watt max
OM6H150A21	6" incandescent downlight, horizontal, A21 lamp, 150 watt max

6" Revelation Reflector

Catalog Number	Description
R6100A19CS	6" reflector, vertical, A19 lamp, clear specular
R6150A21CS	6" reflector, vertical, A21 lamp, clear specular
R6H150A21CS	6" reflector, horizontal, A21 lamp, clear specular

Barhanger Accessories:

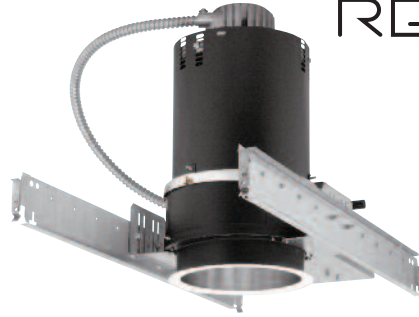
QI031 - 27" Flat Bar Hangers (pair)

*See catalog, www.omegalighting.com, or spec sheets RV2-7, RV2-11, and RV2-13 for additional options and information on this product. **For complete program details, see page 2 of the Express guide.

Omega Express Program

REVELATION

6" Incandescent
T4 Quartz Downlight



STOCK

Will ship within 2 business days after order is processed.**

6" Revelation Downlight

Catalog Number	Description
OM6500T4QTZRMD	6" incandescent downlight, T4 quartz, 500 watt, top relamp, medium distribution
OM6250T4QTZRWD	6" incandescent downlight, T4 quartz, 250 watt, top relamp, wide distribution
OM6250T4QTZRMD	6" incandescent downlight, T4 quartz, 250 watt, top relamp, medium distribution
OM6500T4QTZRWD	6" incandescent downlight, T4 quartz, 500 watt, top relamp, wide distribution

6" Revelation Reflector

Catalog Number	Description
R6T4QTZRCS	6" incandescent T4 quartz reflector, top relamp, clear specular

Barhanger Accessories:

QI031 - 27" Flat Bar Hangers (pair)

QUICK SHIP

Will ship within 12 business days after order is processed.**

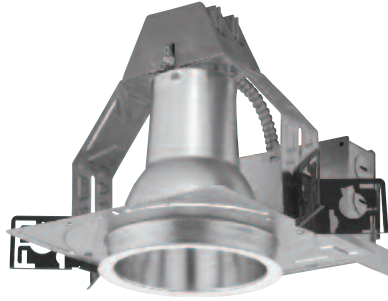
6" Revelation Downlight	Lamp (by others)	Options	Quick Ship (required)
OM6	500T4QTZR	ND	QS - Quick Ship (must be added to the end of all Quick Ship catalog numbers indicating housing is part of the Express Program.)
	250T4QTZR	MD	
	150T4QTZR	WD	

SAMPLE CATALOG NUMBER: OM6500T4QTZRNDQS

*See catalog, www.omegalighting.com, or spec sheet RV2-19, RV2-20, and RV2-21 for additional options and information on this product. **For complete program details, see page 2 of the Express guide.



4" Compact Fluorescent
Vertical Downlight



STOCK

Will ship within 2 business days after order is processed.**

4" Spex Downlight
Catalog Number

Description

S426PLTU

4" open reflector downlight, 26 watt PLT, universal voltage 120-277

4" Spex Reflector
Catalog Number

Description

T4CS

4" reflector, clear specular finish

Barhanger Accessories:

Q1031 - 27" Flat Bar Hangers (pair)

Q1032 - 26" C Channel (pair)

Q1033 - 24" Expandable Bar Hangers (pair)

QUICK SHIP

Will ship within 12 business days after order is processed.**

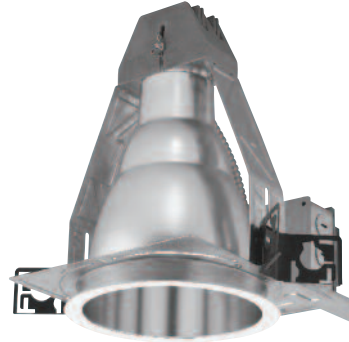
4" Spex Downlight	Lamp (by others)	Options	Supply Voltage	Quick Ship (required)
S4	18PLT 13QPL 26PLT	EM Emergency F1 Fuse 120V F2 Fuse 277V DX1 Advance Mark X Dimming 120V DX2 Advance Mark X Dimming 277V	U 120-277VAC	QS - Quick Ship (must be added to the end of all Quick Ship catalog numbers indicating housing is part of the Express Program.)

SAMPLE CATALOG NUMBER: S418PLTEMDXIQS

See catalog or www.omegalighting.com or spec sheet SXI-1 for additional options and information on this product.
**For complete program details, see page 2 of the Omega Express Guide.



6" Compact Fluorescent
Vertical Downlight



STOCK

Will ship within 2 business days after order is processed.**

6" Spex Downlight

Catalog Number	Description
S626/32/42PLTU	6" open reflector downlight, single lamp vertical 26, 32, or 42 watt PLT, universal voltage 120-277
S626/32/42PLTEMU	6" open reflector downlight, single lamp vertical 26, 32, or 42 watt PLT, remote emergency, universal voltage 120-277
S626QPLU	6" open reflector downlight, single vertical, 26 watt QPL, universal voltage 120-277

6" Spex Reflector

Catalog Number	Description
T6CSS	6" reflector, clear specular
T6CSS	6" reflector, clear semi specular
T6CSSFF	6" reflector, clear specular with finish flange
T6CSSFF	6" reflector, clear semi specular with finish flange

Barhanger Accessories:

- Q1031 - 27" Flat Bar Hangers (pair)
- Q1032 - 26" C Channel (pair)
- Q1033 - 24" Expandable Bar Hangers (pair)

QUICK SHIP

Will ship within 12 business days after order is processed.**

6" Spex Downlight	Lamp (by others)	Options	Supply Voltage	Quick Ship (required)
S6	18PLT 18QPL 13QPL 26/32/42PLT 26QPL	EM Emergency F1 Fuse 120V F2 Fuse 277V DX1 Advance Mark X Dimming 120V DX2 Advance Mark X Dimming 277V	U 120-277VAC	QS - Quick Ship (must be added to the end of all Quick Ship catalog numbers indicating housing is part of the Express Program.)

SAMPLE CATALOG NUMBER: S626/32/42PLTDXIQS

See catalog or www.omegalighting.com or spec sheet SX1-3 for additional options and information on this product.
**For complete program details, see page 2 of the Omega Express Guide.



6" Compact Fluorescent
Open Vertical Wall Wash



STOCK

Will ship within 2 business days after order is processed.**

6" Spex Wall Wash

Catalog Number	Description
S626/32/42PLTU	6" open reflector wall wash, vertical 26, 32, or 42 watt PLT, universal voltage 120-277
S626/32/42PLTEMU	6" open reflector wall wash, vertical 26, 32, or 42 watt PLT, remote emergency, universal voltage 120-277
S626QPLU	6" open reflector wall wash, vertical 26 watt QPL, universal voltage 120-277

6" Spex Reflector

Catalog Number	Description
T6WWCS	6" wall wash reflector, clear specular

Barhanger Accessories:

- Q1031 - 27" Flat Bar Hangers (pair)
- Q1032 - 26" C Channel (pair)
- Q1033 - 24" Expandable Bar Hangers (pair)

QUICK SHIP

Will ship within 12 business days after order is processed.**

6" Spex Open Wall Wash	Lamp (by others)	Options	Supply Voltage	Quick Ship (required)
S6	26/32/42PLT 18PLT 26QPL 18QPL 13QPL	EM Emergency F1 Fuse 120V F2 Fuse 277V DX1 Advance Mark X Dimming 120V DX2 Advance Mark X Dimming 277V	U 120-277VAC	QS - Quick Ship (must be added to the end of all Quick Ship catalog numbers indicating housing is part of the Express Program.)

SAMPLE CATALOG NUMBER: S626QPLDXIQS

See catalog or www.omegalighting.com or spec sheet SX1-4 for additional options and information this product.
**For complete program details, see page 2 of the Omega Express Guide.



6" Compact Fluorescent
Horizontal Downlight



STOCK

Will ship within 2 business days after order is processed.**

6" Spex Downlight

Catalog Number	Description
S61H26/32/42PLTU	6" open reflector downlight, single lamp horizontal 26, 32, or 42 watt PLT, universal voltage 120-277
S62H26QPLU	6" open reflector downlight, 2 lamp horizontal, 26 watt QPL, universal voltage 120-277
S62H18QPLU	6" open reflector downlight, 2 lamp horizontal, 18 watt QPL, universal voltage 120-277
S62H13QPLU	6" open reflector downlight, 2 lamp horizontal, 13 watt QPL, universal voltage 120-277
S61H26QPLU	6" open reflector downlight, single lamp horizontal, 26 watt QPL, universal voltage 120-277

6" Spex Reflector

Catalog Number	Description
T61HCSS	6" reflector, single horizontal lamp, clear specular
T61HCSS	6" reflector, single horizontal lamp, clear semi specular
T61HCSSFF	6" reflector, single horizontal lamp, clear specular with finish flange
T61HCSSFF	6" reflector, single horizontal lamp, clear semi specular with finish flange
T62H2QPLCSS	6" reflector, 2 horizontal QPL lamps, clear specular
T62HQPLCSS	6" reflector, 2 horizontal QPL lamps, clear semi specular

Barhanger Accessories:

- Q1031 - 27" Flat Bar Hangers (pair)
- Q1032 - 26" C Channel (pair)
- Q1033 - 24" Expandable Bar Hangers (pair)

QUICK SHIP

Will ship within 12 business days after order is processed.**

6" Spex Downlight	Lamp (by others)	Options	Supply Voltage	Quick Ship (required)
S6	IH18PLT IH18QPL IH13QPL IH26/32/42PLT 2H26QPL 2H18QPL 2H13QPL 1H26QPL	EM Emergency F1 Fuse 120V F2 Fuse 277V DX1 Advance Mark X Dimming 120V DX2 Advance Mark X Dimming 277V	U 120-277VAC	QS - Quick Ship (must be added to the end of all Quick Ship catalog numbers indicating housing is part of the Express Program.)

SAMPLE CATALOG NUMBER: S6IH18PLTFIQS

See catalog or www.omegalighting.com or spec sheet SX1-6 for additional options and information on this product.
**For complete program details, see page 2 of the Omega Express Guide.



6" Compact Fluorescent
Horizontal Wall Wash



STOCK

Will ship within 2 business days after order is processed.**

6" Spex Wall Wash

Catalog Number	Description
S61H26/32/42PLTU	6" open reflector downlight, single lamp horizontal 26, 32, or 42 watt PLT, universal voltage 120-277
S62H26QPLU	6" open reflector downlight, 2 lamp horizontal, 26 watt QPL, universal voltage 120-277
S62H18QPLU	6" open reflector downlight, 2 lamp horizontal, 18 watt QPL, universal voltage 120-277
S62H13QPLU	6" open reflector downlight, 2 lamp horizontal, 13 watt QPL, universal voltage 120-277
S61H26QPLU	6" open reflector downlight, single lamp horizontal, 26 watt QPL, universal voltage 120-277

6" Spex Reflector

Catalog Number	Description
T61HWWCS	6" reflector, single horizontal lamp, wall wash clear specular
T62HQPLWWCS	6" reflector, 2 horizontal QPL lamps, wall wash clear specular

Barhanger Accessories:

- Q1031 - 27" Flat Bar Hangers (pair)
- Q1032 - 26" C Channel (pair)
- Q1033 - 24" Expandable Bar Hangers (pair)

QUICK SHIP

Will ship within 12 business days after order is processed.**

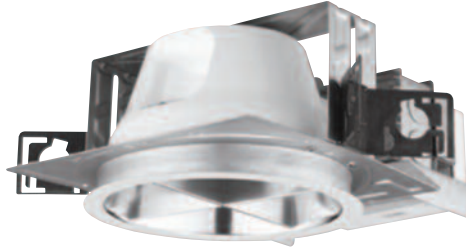
6" Spex Wall Wash	Lamp (by others)	Options	Supply Voltage	Quick Ship (required)
S6	1H18PLT 1H18QPL 1H13QPL 1H26/32/42PLT 2H26QPL 2H18QPL 2H13QPL 1H26QPL	EM Emergency F1 Fuse 120V F2 Fuse 277V DX1 Advance Mark X Dimming 120V DX2 Advance Mark X Dimming 277V	U 120-277VAC	QS - Quick Ship (must be added to the end of all Quick Ship catalog numbers indicating housing is part of the Express Program.)

SAMPLE CATALOG NUMBER: S61H13QPLF2QS

See catalog or www.omegalighting.com or spec sheet SX1-7 for additional options and information on this product.
**For complete program details, see page 2 of the Omega Express Guide.



**6" Compact Fluorescent
Parabolic Louvered
Downlight**



STOCK

Will ship within 2 business days after order is processed.**

6" Spex Downlight

Catalog Number

S6SRD1H26/32/42PLTU

S6SRD2H26QPLU

Description

6" shallow recessed depth downlight, single lamp horizontal 26, 32, or 42 watt PLT, universal voltage 120-277

6" shallow recessed downlight, 2 lamp horizontal, 26 watt QPL, universal voltage 120-277

6" Spex Reflector

Catalog Number

T6SRD1HXBCS

T6SRD1HXBCSFF

T6SRD2HQPLXBCS

T6SRD2HQPLXBCSFF

Description

6" shallow recessed depth, single lamp horizontal, cross baffle, clear specular

6" shallow recessed depth, single lamp horizontal, cross baffle, clear specular with finish flange

6" shallow recessed depth, 2 lamp horizontal QPL, cross baffle, clear specular

6" shallow recessed depth, 2 lamp horizontal QPL, cross baffle, clear specular with finish flange

Barhanger Accessories:

Q1031 - 27" Flat Bar Hangers (pair)

Q1032 - 26" C Channel (pair)

Q1033 - 24" Expandable Bar Hangers (pair)

QUICK SHIP

Will ship within 12 business days after order is processed.**

<u>6" Spex Downlight</u>	<u>Frame Configuration</u>	<u>Lamp (by others)</u>	<u>Options</u>	<u>Supply Voltage</u>	<u>Quick Ship (required)</u>
S6	SRD Shallow Recessed Depth	IH18PLT IH18QPL IH13QPL IH26/32/42PLT 2H26QPL 2H18QPL 2H13QPL IH26QPL	EM Emergency F1 Fuse 120V F2 Fuse 277V DX1 Advance Mark X Dimming 120V DX2 Advance Mark X Dimming 277V	U 120-277VAC	QS - Quick Ship (must be added to the end of all Quick Ship catalog numbers indicating housing is part of the Express Program.)

SAMPLE CATALOG NUMBER: S6SRD2H18QPLDX2QS

See catalog or www.omegalighting.com or spec sheet SX1-9 for additional options and information on this product.

**For complete program details, see page 2 of the Omega Express Guide.

SPEX

6" Compact Fluorescent
Horizontal Lensed
Wall Wash



STOCK

Will ship within 2 business days after order is processed.**

6" Spex Lensed Wall

Wash Catalog Number

S61H26/32/42PLTLWWU

Description

6" single horizontal lamp 26, 32, or 42 watt PLT, lensed wall wash, universal voltage 120-277

6" Spex Reflector

Catalog Number

T61HPLTLWWCS

Description

6" single lamp horizontal, lensed wall wash, clear specular

Barhanger Accessories:

Q1031 - 27" Flat Bar Hangers (pair)

Q1032 - 26" C Channel (pair)

Q1033 - 24" Expandable Bar Hangers (pair)

QUICK SHIP

Will ship within 12 business days after order is processed.**

6" Spex Lensed Wall Wash	Lamp (by others)	Reflector Type (required)	Options	Supply Voltage	Quick Ship (required)
S6	IH26/32/42PLT	LWW - Lensed Wall Wash	EM Emergency F1 Fuse 120V F2 Fuse 277V DX1 Advance Mark X Dimming 120V DX2 Advance Mark X Dimming 277V	U 120-277VAC	QS - Quick Ship (must be added to the end of all Quick Ship catalog numbers indicating housing is part of the Express Program.)

SAMPLE CATALOG NUMBER: S61H26/32/42PLTLWWWF2QS

See catalog or www.omegalighting.com or spec sheet SX1-4.1 for additional options and information on this product.
**For complete program details, see page 2 of the Omega Express Guide.



6" Compact Fluorescent
Horizontal Downlight
Turbo Louver



STOCK

Will ship within 2 business days after order is processed.**

6" Spex Downlight

Catalog Number	Description
S61H26/32/42PLTU	6" open reflector downlight, single lamp horizontal 26, 32, or 42 watt PLT, universal voltage 120-277
S62H26QPLU	6" open reflector downlight, 2 lamp horizontal, 26 watt QPL, universal voltage 120-277
S62H26QPLIEU	6" open reflector downlight, 2 lamp horizontal, 26 watt QPL, integral emergency, universal voltage 120-277
S62H18QPLU	6" open reflector downlight, 2 lamp horizontal, 18 watt QPL, universal voltage 120-277
S62H13QPLU	6" open reflector downlight, 2 lamp horizontal, 13 watt QPL, universal voltage 120-277
S61H26QPLU	6" open reflector downlight, single lamp horizontal, 26 watt QPL, universal voltage 120-277

6" Spex Reflector

Catalog Number	Description
T61TBCS	6" reflector, single horizontal lamp, turbo louver, clear specular

Barhanger Accessories:

- Q1031 - 27" Flat Bar Hangers (pair)
- Q1032 - 26" C Channel (pair)
- Q1033 - 24" Expandable Bar Hangers (pair)

QUICK SHIP

Will ship within 12 business days after order is processed.**

6" Spex Downlight	Lamp (by others)	Options	Supply Voltage	Quick Ship (required)
S6	1H18PLT 1H18QPL 1H13QPT 1H26/32/42PLT 2H26QPL 2H18QPL 2H13QPL 1H26QPL	EM Emergency F1 Fuse 120V F2 Fuse 277V DX1 Advance Mark X Dimming 120V DX2 Advance Mark X Dimming 277V	U 120-277VAC	QS - Quick Ship (must be added to the end of all Quick Ship catalog numbers indicating housing is part of the Express Program.)

SAMPLE CATALOG NUMBER: S61H26QPLEMUQS

See catalog or www.omegalighting.com or spec sheet SX1-9.5 for additional options and information on this product.
**For complete program details, see page 2 of the Omega Express Guide.



6" Compact Fluorescent
Shallow Recessed Depth
Shower Light



STOCK

Will ship within 2 business days after order is processed.**

6" Spex SRD Downlight

Catalog Number	Description
S6SRD1H26/32/42PLTU	6" shallow recessed depth shower light, single lamp horizontal 26, 32, or 42 watt PLT, universal voltage 120-277
S6SRD2H26QPLU	6" shallow recessed depth shower light, 2 lamp horizontal, 26 watt QPL, universal voltage 120-277

6" Spex Reflector

Catalog Number	Description
T6SRD2HQPLSHWRCP	6" shallow recessed depth reflector, 2 lamp horizontal QPL, gasketed white polycarb trim ring, clear stippled polycarb lens

Barhanger Accessories:

- Q1031 - 27" Flat Bar Hangers (pair)
- Q1032 - 26" C Channel (pair)
- Q1033 - 24" Expandable Bar Hangers (pair)

QUICK SHIP

Will ship within 12 business days after order is processed.**

6" Spex SRD Downlight	Frame Configuration	Lamp (by others)	Options	Supply Voltage	Quick Ship (required)
S6	SRD - Shallow Recessed Depth	1H18PLT 1H18QPL 1H13QPL 1H26/32/42PLT 2H26QPL 2H13QPL 1H26QPL	EM Emergency F1 Fuse 120V F2 Fuse 277V DX1 Advance Mark X Dimming 120V DX2 Advance Mark X Dimming 277V	U 120-277VAC	QS - Quick Ship (must be added to the end of all Quick Ship catalog numbers indicating housing is part of the Express Program.)

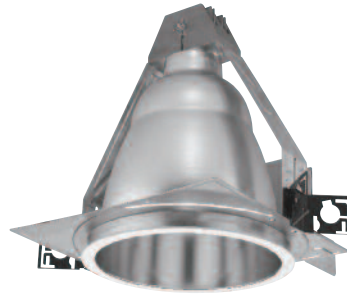
SAMPLE CATALOG NUMBER: S6SRD1H18PLTDX2QS

See catalog or www.omegalighting.com or spec sheet SX1-11 for additional options and information on this product.
**For complete program details, see page 2 of the Omega Express Guide.

Omega Express Program

SPEX

8" Compact Fluorescent
Vertical Open
Downlight



STOCK

Will ship within 2 business days after order is processed.**

8" Spex Downlight

Catalog Number	Description
S826/32/42PLTU	8" open reflector downlight, single vertical 26, 32, or 42 watt PLT lamp, universal voltage 120-277
S826QPLU	8" open reflector downlight, single vertical 26 watt QPL lamp, universal voltage 120-277

8" Spex Reflector

Catalog Number	Description
T8CS	8" reflector, Clear Specular
T8CSS	8" reflector, Clear Semi Specular
T8CSFF	8" reflector, Clear specular with Finish Flange

Barhanger Accessories:

- Q1031 - 27" Flat Bar Hangers (pair)
- Q1032 - 26" C Channel (pair)
- Q1033 - 24" Expandable Bar Hangers (pair)

QUICK SHIP

Will ship within 12 business days after order is processed.**

8" Spex Downlight	Lamp (by others)	Options	Supply Voltage	Quick Ship (required)
S8	18PLT 18QPL 13QPL 26/32/42PLT 26QPL	EM Emergency F1 Fuse 120V F2 Fuse 277V DX1 Advance Mark X Dimming 120V DX2 Advance Mark X Dimming 277V	U 120-277V	QS - Quick Ship (must be added to the end of all Quick Ship catalog numbers indicating housing is part of the Express Program.)

SAMPLE CATALOG NUMBER: S826/32/42PLTDX2QS

See catalog or www.omegalighting.com or spec sheet SX1-12 for additional options and information on this product.
**For complete program details, see page 2 of the Omega Express Guide.

Omega Express Program

SPEX

8" Compact Fluorescent
Vertical Open
Wall Wash



STOCK

Will ship within 2 business days after order is processed.**

8" Spex Vertical Wall

Wash Catalog Number	Description
S826/32/42PLTU	8" open reflector wall wash, vertical 26, 32, or 42 watt PLT, universal voltage 120-277
S826QPLU	8" open reflector wall wash, vertical 26 watt QPL, universal voltage 120-277

8" Spex Reflector

Catalog Number	Description
T8WWCS	8" wall wash reflector, clear specular
T8WWCSFF	8" wall wash reflector, clear specular with finish flange

Barhanger Accessories:

- Q1031 - 27" Flat Bar Hangers (pair)
- Q1032 - 26" C Channel (pair)
- Q1033 - 24" Expandable Bar Hangers (pair)

QUICK SHIP

Will ship within 12 business days after order is processed.**

8" Spex Vertical Wall Wash	Lamp (by others)	Options	Supply Voltage	Quick Ship (required)
S8	26/32/42PLT 18PLT 26QPL 18QPL 13QPL	EM Emergency F1 Fuse 120V F2 Fuse 277V DX1 Advance Mark X Dimming 120V DX2 Advance Mark X Dimming 277V	U 120-277V	QS - Quick Ship (must be added to the end of all Quick Ship catalog numbers indicating housing is part of the Express Program.)

SAMPLE CATALOG NUMBER: S826QPLFIQS

See catalog or www.omegalighting.com or spec sheet SX1-13 for additional options and information on this product.
**For complete program details, see page 2 of the Omega Express Guide.

Omega Express Program



SPEX

8" Compact Fluorescent
Horizontal Open
Downlight

STOCK

Will ship within 2 business days after order is processed.**

8" Spex Downlight
Catalog Number
S82H26/32/42PLTU
S82H26QPLU
S82H18QPLU

Description
8" open reflector downlight, 2 lamp horizontal 26, 32, or 42 watt PLT, universal voltage 120-277
8" open reflector downlight, 2 lamp horizontal, 26 watt QPL, universal voltage 120-277
8" open reflector downlight, 2 lamp horizontal, 18 watt QPL, universal voltage 120-277

8" Spex Reflector
Catalog Number
T82HPLTCS
T82HPLTCSS
T82HPLTCSFF
T82HPLTCSFF
T82HQPLCS
T82HQPLCSS
T82HQPLCSFF
T82HQPLCSFF

Description
8" reflector, 2 horizontal lamp PLT, clear specular
8" reflector, 2 horizontal lamp PLT, clear semi specular
8" reflector, 2 horizontal lamp PLT, clear specular with finish flange
8" reflector, 2 horizontal lamp PLT, clear semi specular with finish flange
8" reflector, 2 horizontal QPL lamps, clear specular
8" reflector, 2 horizontal QPL lamps, clear semi specular
8" reflector, 2 horizontal QPL lamps, clear specular with finish flange
8" reflector, 2 horizontal QPL lamps, clear semi specular with finish flange

QUICK SHIP

Will ship within 12 business days after order is processed.**

8" Spex Downlight	Lamp (by others)	Options	Supply Voltage	Quick Ship (required)
S8	1H18PLT 1H18QPL 1H13QPL 1H26/32/42PLT 2H26QPL 2H18QPL 2H13QPL 1H26QPL 2H26/32/42PLT 2H18PLT	EM Emergency F1 Fuse 120V F2 Fuse 277V DX1 Advance Mark X Dimming 120V DX2 Advance Mark X Dimming 277V	U 120-277VAC	QS - Quick Ship (must be added to the end of all Quick Ship catalog numbers indicating housing is part of the Express Program.)

SAMPLE CATALOG NUMBER: S81H18PLTFIQS

See catalog or www.omegalighting.com or spec sheet SX1-15 for additional options and information on this product.
**For complete program details, see page 2 of the Omega Express Guide.

PHILIPS
OMEGA

Omega Express Program

SPEX

8" Compact Fluorescent
Horizontal Open
Wall Wash



STOCK

Will ship within 2 business days after order is processed.**

8" Spex Horizontal Wall

Wash Catalog Number	Description
S82H26/32/42PLTU	8" open reflector downlight, 2 lamp horizontal 26, 32, or 42 watt PLT, universal voltage 120-277
S82H26QPLU	8" open reflector downlight, 2 lamp horizontal, 26 watt QPL, universal voltage 120-277
S82H18QPLU	8" open reflector downlight, 2 lamp horizontal, 18 watt QPL, universal voltage 120-277

8" Spex Reflector

Catalog Number	Description
T82HPLTWWCS	8" reflector, 2 horizontal lamp PLT, wall wash, clear specular
T82H2QPLWWCS	8" reflector, 2 horizontal QPL lamps, wall wash, clear specular

Barhanger Accessories:

- Q1031 - 27" Flat Bar Hangers (pair)
- Q1032 - 26" C Channel (pair)
- Q1033 - 24" Expandable Bar Hangers (pair)

QUICK SHIP

Will ship within 12 business days after order is processed.**

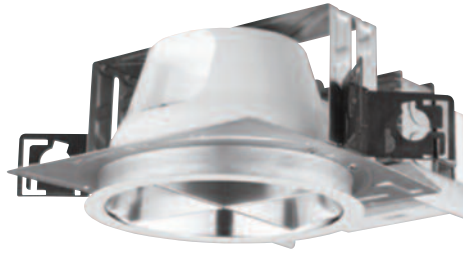
8" Spex Horizontal Wall Wash	Lamp (by others)	Options	Supply Voltage	Quick Ship (required)
S8	IH18PLT IH18QPL IH13QPL IH26/32/42PLT 2H26QPL 2H18QPL 2H13QPL IH26QPL 2H26/32/42PLT 2H18PLT	EM Emergency F1 Fuse 120V F2 Fuse 277V DX1 Advance Mark X Dimming 120V DX2 Advance Mark X Dimming 277V	U 120-277V	QS - Quick Ship (must be added to the end of all Quick Ship catalog numbers indicating housing is part of the Express Program.)

SAMPLE CATALOG NUMBER: S8IH18PLTFIQS

See catalog or www.omegalighting.com or spec sheet SX1-16 for additional options and information on this product.
**For complete program details, see page 2 of the Omega Express Guide.



8" Compact Fluorescent
Horizontal Parabolic
Louvered Reflector
Downlight



STOCK

Will ship within 2 business days after order is processed.**

8" Spex Downlight

Catalog Number	Description
S8SRD2H26/32/42PLTU	8" shallow recessed depth downlight, 2 lamp horizontal 26, 32, or 42 watt PLT, universal voltage 120-277
S8SRD2H26QPLU	8" shallow recessed depth, 2 lamp horizontal, 26 watt QPL, universal voltage 120-277

8" Spex Reflector

Catalog Number	Description
T8SRD2HQPLXBCS	8" shallow recessed depth, 2 lamp horizontal QPL, cross baffle, clear specular
T8SRD2HQPLXBCSFF	8" shallow recessed depth, 2 lamp horizontal QPL, cross baffle, clear specular with finish flange

Barhanger Accessories:

- Q1031 - 27" Flat Bar Hangers (pair)
- Q1032 - 26" C Channel (pair)
- Q1033 - 24" Expandable Bar Hangers (pair)

QUICK SHIP

Will ship within 12 business days after order is processed.**

8" Spex Downlight	Frame Configuration	Lamp (by others)	Options	Supply Voltage	Quick Ship (required)
S8	SRD Shallow Recessed Depth	2H26/32/42PLT 2H26QPL 2H18PLT 2H18QPL 2H13QPL 1H32PLT 1H26QPL 1H18PLT 1H18QPL 1H13QPL	EM Emergency F1 Fuse 120V F2 Fuse 277V DX1 Advance Mark X Dimming 120V DX2 Advance Mark X Dimming 277V	U 120-277V	QS - Quick Ship (must be added to the end of all Quick Ship catalog numbers indicating housing is part of the Express Program.)

SAMPLE CATALOG NUMBER: S8SRD2H18QPLDXIQS

See catalog or www.omegalighting.com or spec sheet SX1-18 for additional options and information on this product.
**For complete program details, see page 2 of the Omega Express Guide.

Omega Express Program

SPEX

8" Compact Fluorescent
Shallow Recessed
Depth Lensed
Downlight



STOCK

Will ship within 2 business days after order is processed.**

8" Spex SRD Downlight

Catalog Number	Description
S8SRD2H26/32/42PLTU	8" shallow recessed depth shower light, 2 lamp horizontal 26, 32, or 42 watt PLT, universal voltage 120-277
S8SRD2H26QPLU	8" shallow recessed depth shower light, 2 lamp horizontal, 26 watt QPL, universal voltage 120-277

QUICK SHIP

Barhanger Accessories:

- Q1031 - 27" Flat Bar Hangers (pair)
- Q1032 - 26" C Channel (pair)
- Q1033 - 24" Expandable Bar Hangers (pair)

Will ship within 12 business days after order is processed.**

8" Spex SRD Downlight	Frame Configuration	Lamp (by others)	Options	Supply Voltage	Quick Ship (required)
S8	SRD Shallow Recessed Depth	2H26/32/42PLT 2H26QPL 2H18PLT 2H18QPL 2H13QPL 1H26/32/42PLT 1H26QPL 1H18QPL 1H18PLT 1H13QPL	EM Emergency F1 Fuse 120V F2 Fuse 277V DX1 Advance Mark X Dimming 120V DX2 Advance Mark X Dimming 277V	U 120-277V	QS - Quick Ship (must be added to the end of all Quick Ship catalog numbers indicating housing is part of the Express Program.)

SAMPLE CATALOG NUMBER: S8SRD2H26/32/42PLTEMUQS

See catalog or www.omegalighting.com or spec sheet SX1-19 for additional options and information on this product.
**For complete program details, see page 2 of the Omega Express Guide.

Omega Express Program

SPEX

8" Compact Fluorescent
Horizontal Turbo
Louver Downlight



STOCK

Will ship within 2 business days after order is processed.**

8" Spex Downlight

Catalog Number	Description
S82H26/32/42PLTU	8" open reflector downlight, 2 lamp horizontal 26, 32, or 42 watt PLT, universal voltage 120-277
S82H26QPLU	8" open reflector downlight, 2 lamp horizontal, 26 watt QPL, universal voltage 120-277
S82H18QPLU	8" open reflector downlight, 2 lamp horizontal, 18 watt QPL, universal voltage 120-277

8" Spex Turbo Louver

Reflector Catalog No.	Description
T82HQPLTBCS	8" two lamp horizontal QPL, turbo louver, clear specular

Barhanger Accessories:

- Q1031 - 27" Flat Bar Hangers (pair)
- Q1032 - 26" C Channel (pair)
- Q1033 - 24" Expandable Bar Hangers (pair)

QUICK SHIP

Will ship within 12 business days after order is processed.**

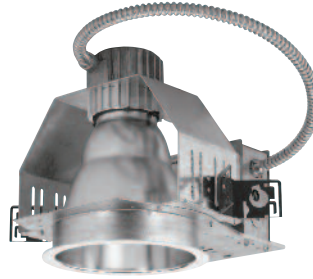
8" Spex Downlight	Lamp (by others)	Options	Supply Voltage	Quick Ship (required)
S8	2H26/32/42PLT 2H26QPL 2H18PLT 2H18QPL 2H13QPL 1H26/32/42PLT 1H26QPL 1H18PLT 1H18QPL 1H13QPL	EM Emergency F1 Fuse 120V F2 Fuse 277V DX1 Advance Mark X Dimming 120V DX2 Advance Mark X Dimming 277V	U 120-277V	QS - Quick Ship (must be added to the end of all Quick Ship catalog numbers indicating housing is part of the Express Program.)

SAMPLE CATALOG NUMBER: S81H26QPLFIQS

See catalog or www.omegalighting.com or spec sheet SX1-18.5 for additional options and information on this product.
**For complete program details, see page 2 of the Omega Express Guide.

SPEX

6" HID Open
Vertical Downlight



STOCK

Will ship within 2 business days after order is processed.**

6" Spex Downlight
Catalog Number

Description

S6100MHEDI7PEU
S670MHEDI7PEU

6" downlight, 100 watt metal halide ED17 (protected), electronic universal voltage 120-277
6" downlight, 70 watt metal halide ED17 (protected), electronic universal voltage 120-277

6" Spex Reflector
Catalog Number

Description

T6PMHCS

6" clear specular reflector

Barhanger Accessories:

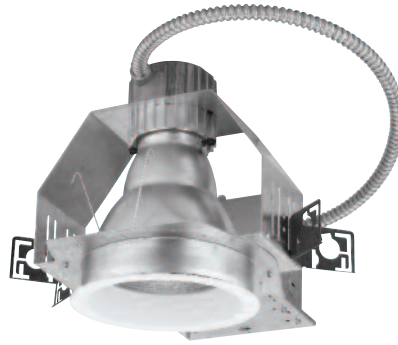
Q1031 - 27" Flat Bar Hangers (pair)

Q1032 - 26" C Channel (pair)

Q1033 - 24" Expandable Bar Hangers (pair)

SAMPLE CATALOG NUMBER: S6100MHEDI7PEU-T6PMHCS

SPEX
 6" HID Vertical
 Lensed/Splay Lens
 Downlight



STOCK

Will ship within 2 business days after order is processed.**

6" Spex Downlight

Catalog Number	Description
S6100MHEDI7EU	6" downlight, 100 watt metal halide ED17, electronic universal voltage 120-277

6" Spex Reflector

Catalog Number	Description
T6MHCLCS	6" clear specular reflector, clear lens
T6MHSPLFL	6" white splay reflector, fresnel lens

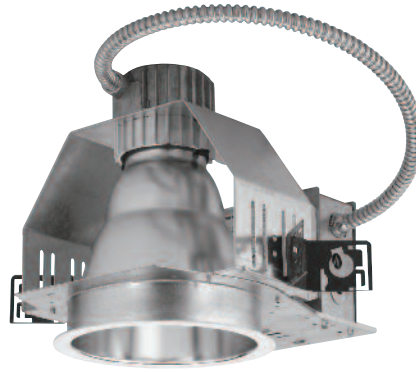
Barhanger Accessories:

- Q1031 - 27" Flat Bar Hangers (pair)
- Q1032 - 26" C Channel (pair)
- Q1033 - 24" Expandable Bar Hangers (pair)

SAMPLE CATALOG NUMBER: S6100MHEDI7EU-T6MHSPLFL

See catalog or www.omegalighting.com or spec sheet SX3-2 or SX3-3 for additional options and information on this product.
 **For complete program details, see page 2 of the Omega Express Guide.

SPEX
8" HID Open
Vertical Downlight



STOCK

Will ship within 2 business days after order is processed.**

8" Spex Downlight

Catalog Number	Description
S8100MHEDI7PEU	8" downlight, 100 watt metal halide ED17 (protected), electronic universal voltage 120-277

8" Spex Reflector

Catalog Number	Description
T8PMHCS	8" clear specular reflector, metal halide

Barhanger Accessories:

- Q1031 - 27" Flat Bar Hangers (pair)
- Q1032 - 26" C Channel (pair)
- Q1033 - 24" Expandable Bar Hangers (pair)

SAMPLE CATALOG NUMBER: S8100MHEDI7PEU-T8PMHCS

See catalog or www.omegalighting.com or spec sheet SX3-6 for additional options and information on this product.
**For complete program details, see page 2 of the Omega Express Guide.

SPEX

8" HID Lensed
Vertical Downlight



STOCK

Will ship within 2 business days after order is processed.**

8" Spex Downlight

Catalog Number

S8100MHEDI7EU

Description

8" downlight, 100 watt metal halide ED17, electronic universal voltage 120-277

8" Spex Reflector

Catalog Number

T8MHCLCS

Description

8" clear specular reflector with clear lens, metal halide

Barhanger Accessories:

Q1031 - 27" Flat Bar Hangers (pair)

Q1032 - 26" C Channel (pair)

Q1033 - 24" Expandable Bar Hangers (pair)

SAMPLE CATALOG NUMBER: S8100MHEDI7EU-T8PMHCLCS